



Feature:

- Gear shifting module for ODM project.
- Different surface appearance available. (Matte or Chrome plating)
- Anti-inadvertently system.
- Wire and connector available.



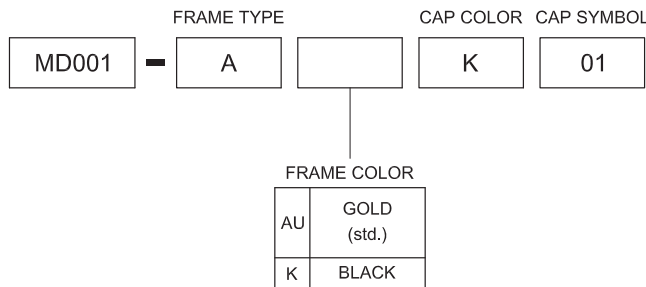
Application:

- Automotive market
- Gear shifting system

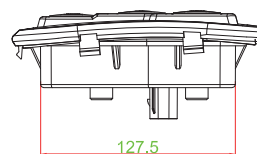
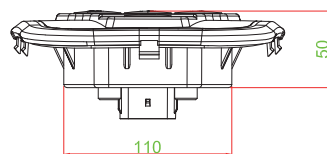
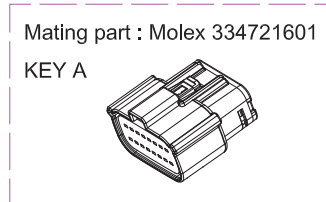
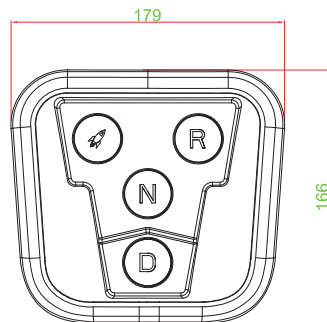
SWITCH SPECIFICATIONS	
POLE - POSITION	OFF - <ON> for Momentary Type , DPST
CONTACT RATING	12V DC , 200 mA
CONTACT RESISTANCE	200Ω MAX.
INSULATION RESISTANCE	100 MΩ MIN. 100 V DC
DIELECTRIC STRENGTH	Breakdown is not Allowable ; 100 V AC for 1 Minute
OPERATING FORCE	300 ± 80gf
OPERATING LIFE	500,000 cycles

Physical and electrical information of LED will be provided upon customer's request on switches .

▶ HOW TO ORDER



▶ DIMENSION



- TACT SWITCH
- PUSH BUTTON SWITCH
- LED TOUCH SENSOR SWITCH
- 5 DIRECTION NAVIGATION SWITCH WITH LED
- MEMBRANE SWITCH
- MODULE
- SLIDE SWITCH
- ROTARY SWITCH
- ROCKER SWITCH
- DETECT SWITCH
- ENCODER
- INTERRUPTER
- MINIATURE MICRO SWITCH
- TELEPHONE HOOK SWITCH
- DOOR SWITCH
- MINI SIZE SOCKET
- KNOB
- CAP SYMBOL