



Feature:

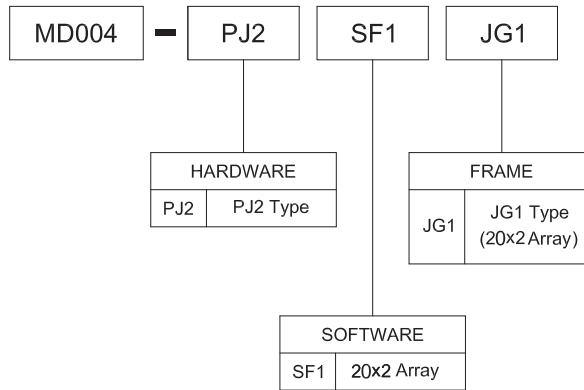
- 1 rack unit module with 40 LCD switches with RGB backlight and 2-inch TFT panel.
- Rear connection: USB-B 2.0, HDMI and Industrial standard RJ45 support TCP/IP, UDP and DHCP functions.
- Decoding IC- FPGA chip, support real time coding function.
- Open protocol and source code to customer.

Application:

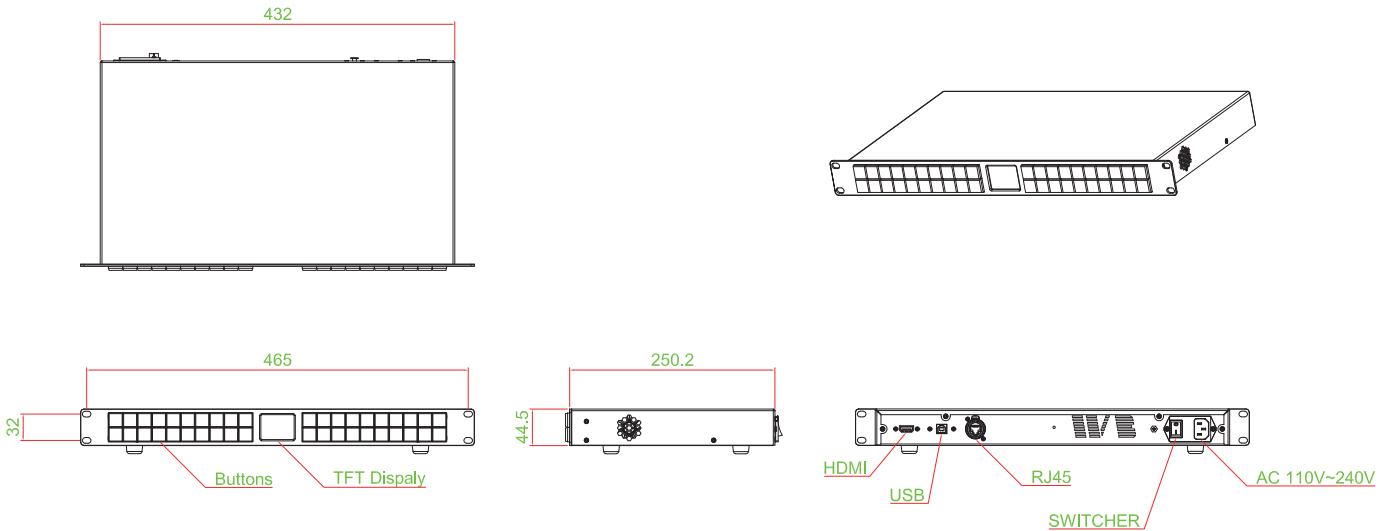
- Broadcasting system
- Signal Management Control System
- Audio/Video market



▶ HOW TO ORDER



▶ DIMENSION



- TACT SWITCH
- PUSH BUTTON SWITCH
- LED TOUCH SENSOR SWITCH
- 5 DIRECTION NAVIGATION SWITCH WITH LED
- MEMBRANE SWITCH
- MODULE**
- SLIDE SWITCH
- ROTARY SWITCH
- ROCKER SWITCH
- DETECT SWITCH
- ENCODER
- INTERRUPTER
- MINIATURE MICRO SWITCH
- TELEPHONE HOOK SWITCH
- DOOR SWITCH
- MINI SIZE SOCKET
- KNOB
- CAP SYMBOL