



- TACT SWITCH
- PUSH BUTTON SWITCH**
- LED TOUCH SENSOR SWITCH
- 5 DIRECTION NAVIGATION SWITCH WITH LED
- MEMBRANE SWITCH
- LED LIGHT BAR
- SLIDE SWITCH
- ROTARY SWITCH
- ROCKER SWITCH
- DETECT SWITCH
- ENCODER
- INTERRUPTER
- MINIATURE MICRO SWITCH
- TELEPHONE HOOK SWITCH
- DOOR SWITCH
- MINI SIZE SOCKET
- KNOB
- CAP SYMBOL

**Feature :**

Mini size  
SPST, momentary function

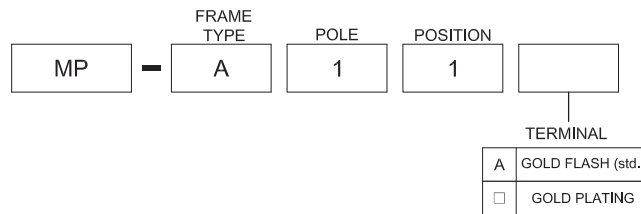
**Application :**

Hearing aid  
Hand-held device



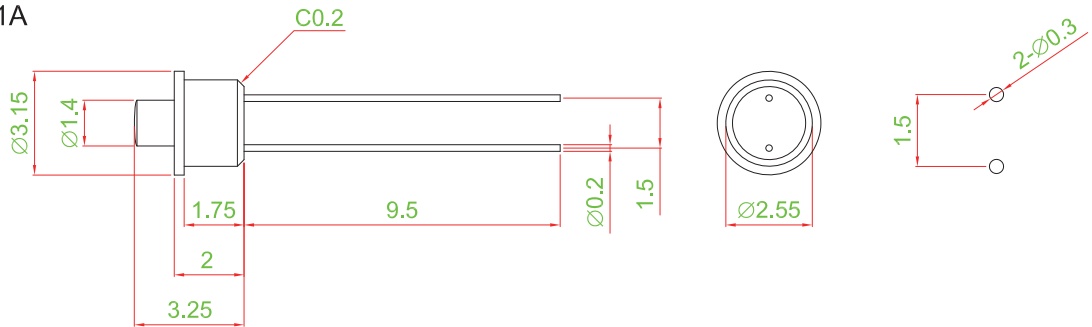
SWITCH SPECIFICATIONS	
POLE - POSITION	Momentary action , SPST
CONTACT RATING	3 V DC , 100 mA
CONTACT RESISTANCE	150 mΩ MAX. 1.5 V DC ; 100 mA , by Method of Voltage DROP
INSULATION RESISTANCE	1 MΩ MIN. 100 V DC
DIELECTRIC STRENGTH	Breakdown is not Allowable ; 100 V AC for 1 Minute
OPERATING FORCE	75 gf ~ 150 gf
OPERATING LIFE	100,000 cycles
TEMPERATURE RANGE	STORAGE TEMP: -40°C ~ 85°C; OPERATING TEMP : -20°C ~ 70°C
TOTAL TRAVEL	0.35 ± 0.1 mm

**▶ HOW TO ORDER**



**▶ DIMENSION**

MP-A11A



**▶ CIRCUIT**

