



Feature :

- SPST
- Bi-color LED illuminated available
- Non-lock function

Application :

- Consumer products
- Automotive

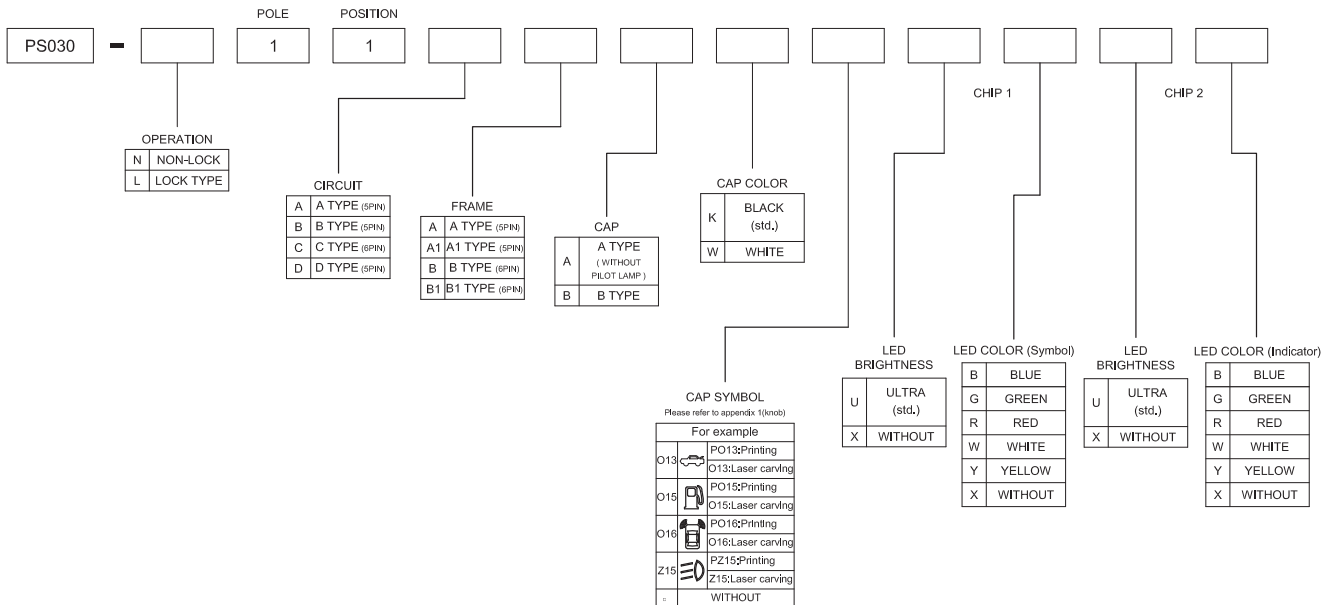


SWITCH SPECIFICATIONS

POLE - POSITION	OFF - <ON> for Momentary Type , SPST
CONTACT RATING	12V DC , 20 mA
CONTACT RESISTANCE	500 mΩ MAX.
INSULATION RESISTANCE	100 MΩ MIN. 500 V DC
DIELECTRIC STRENGTH	Breakdown is not Allowable ; 500 V AC for 1 Minute
OPERATING FORCE	600 ± 200gf
OPERATING LIFE	30,000 cycles
OPERATING TEMPERATURE RANGE	-30°C ~ 80°C
STORAGE TEMPERATURE RANGE	-40°C ~ 85°C
TOTAL TRAVEL	1.8± 0.3 mm

Physical and electrical information of LED will be provided upon customer's request on switches .

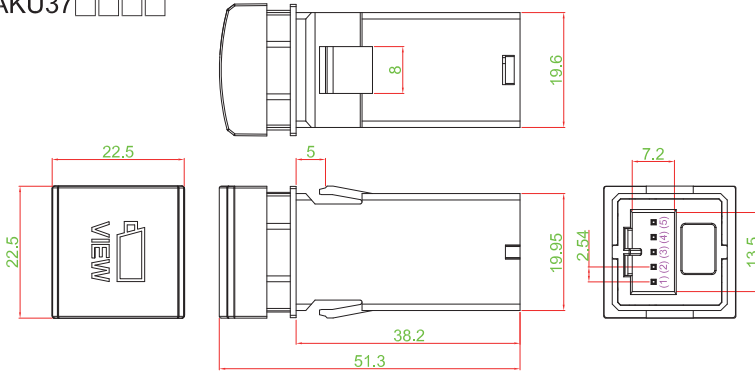
HOW TO ORDER



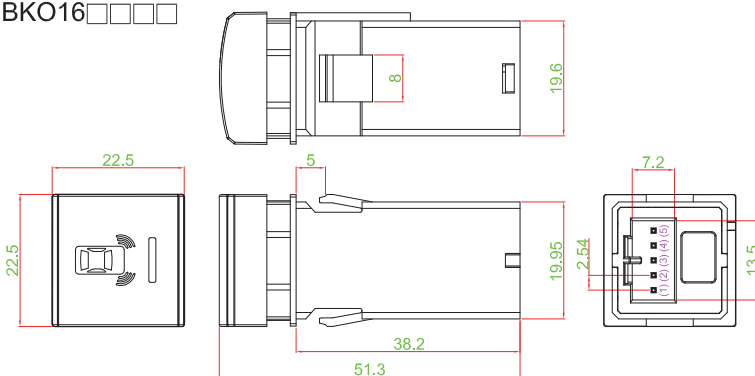


► DIMENSION

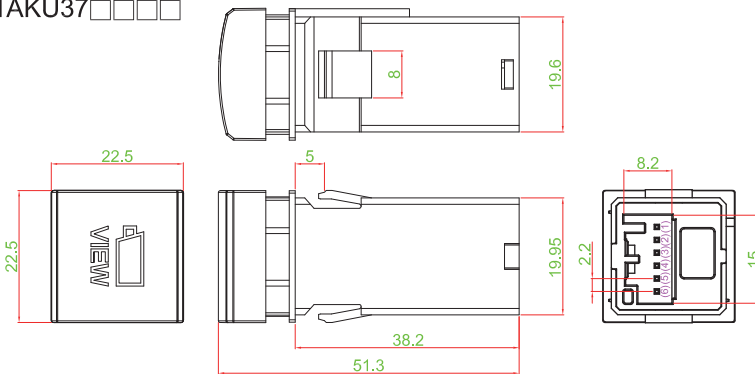
PS030-N11AAKU37 □ □ □ □



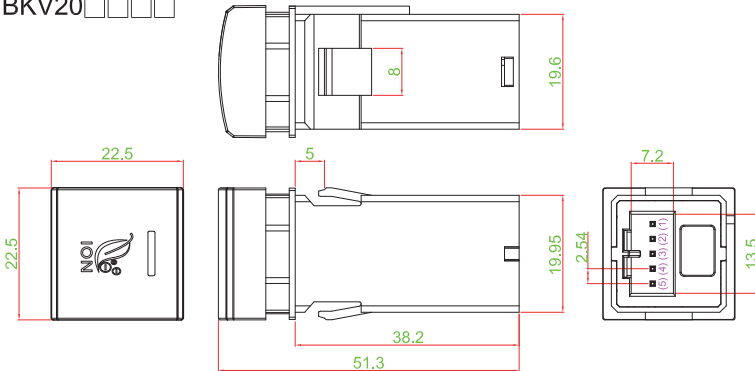
PS030-L11BA1BKO16 □ □ □ □



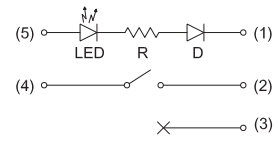
PS030-N11CB1AKU37 □ □ □ □



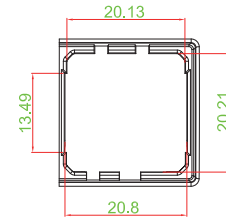
PS030-L11DA1BKV20 □ □ □ □



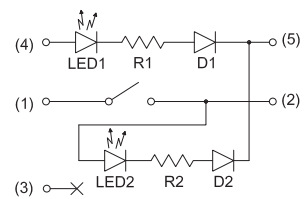
CIRCUIT : A TYPE



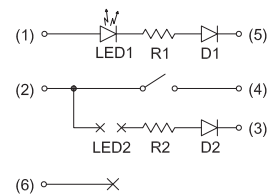
► PANEL CUT OUT



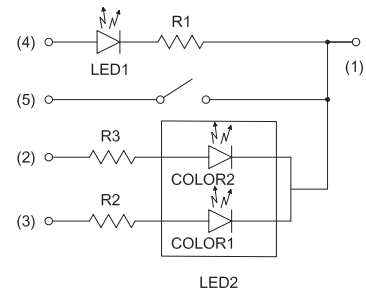
CIRCUIT : B TYPE



CIRCUIT : C TYPE



CIRCUIT : D TYPE



TACT SWITCH

PUSH BUTTON SWITCH

LED TOUCH SENSOR SWITCH

5 DIRECTION NAVIGATION SWITCH WITH LED

MEMBRANE SWITCH

LED LIGHT BAR

SLIDE SWITCH

ROTARY SWITCH

ROCKER SWITCH

DETECT SWITCH

ENCODER

INTERRUPTER

MINIATURE MICRO SWITCH

TELEPHONE HOOK SWITCH

DOOR SWITCH

MINI SIZE SOCKET

KNOB

CAP SYMBOL