



Feature :

- Rotary switch with center push function
- Bi-color LED illuminated available

Application :

- Consumer products
- Audio / video products
- Instrumentation
- Communication equipments



PUSH SWITCH SPECIFICATIONS	
POLE - POSITION	1P2T , LOCK / NON-LOCK Action with LED
CONTACT RATING	30 VDC , 0.1A / 5 VDC , 0.1mA
CONTACT RESISTANCE	50 mΩ MAX. 1.5 V DC ; 100 mA , by Method of Voltage DROP
OPERATING FORCE	ROTARY : 250±100 gf.cm ; PUSH : 250±100 gf
OPERATING LIFE	50,000 cycles
OPERATING TEMPERATURE RANGE	-40°C ~ 85°C
TOTAL TRAVEL	TRAVEL - 0.7 ± 0.3 mm ; FULL TRAVEL - 1.8 ± 0.3 mm

ROTARY SWITCH SPECIFICATIONS	
POLE - POSITION	1P20T [Rotarying 1 circle (360 degrees), 8 segments feelings]
OUTPUT SIGNAL	PWM output (CMOS output) (PWM T : 200Hz, Duty : 0/20~20/20, without 1/20)

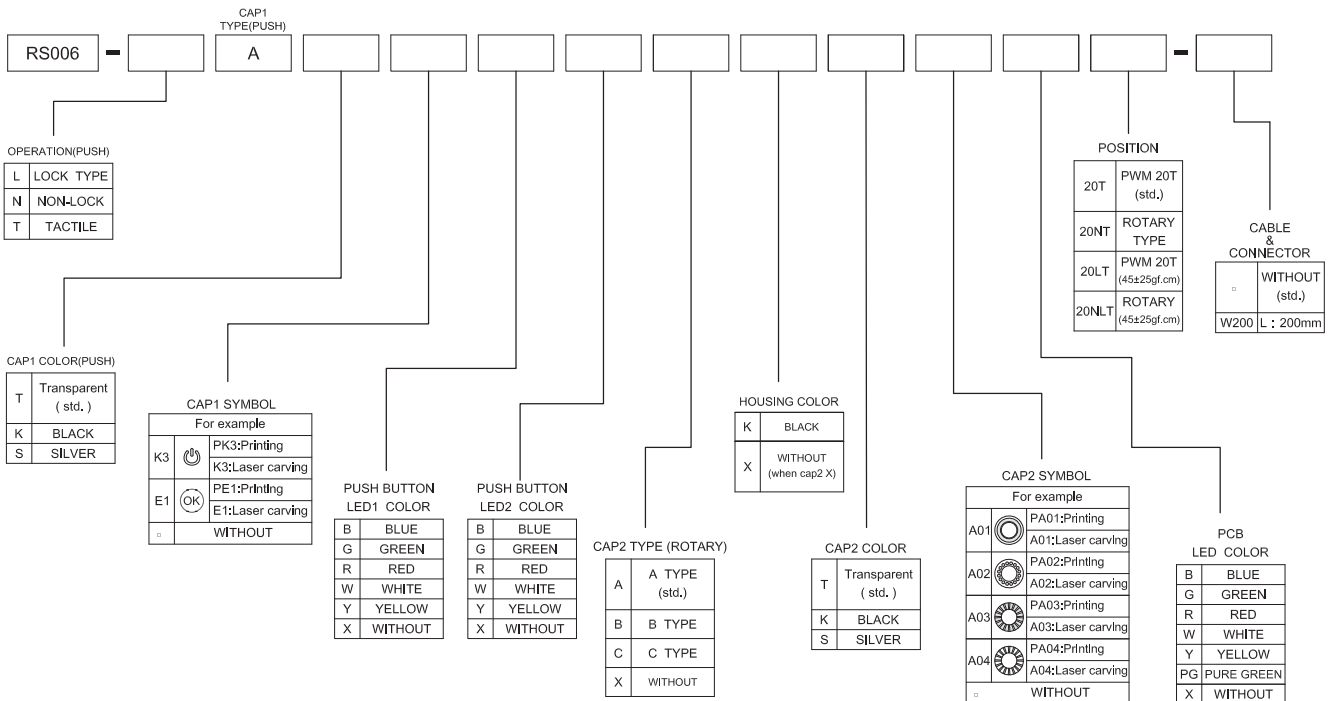
ROTARY ELECTRICAL CHARACTERISTICS							
Symbol	Parameter	Test Conditions		MIN.	TYP.	MAX.	Units
		V _{DD}	Conditions				
V _{DD}	Operating Voltage	-	-	2.5	-	5.5	V
		5V	-	-	1.3	2.0	
I _{DD}	Operating Current	5V	-	-	0.8	1.2	mA
		3V	-	-	-	-	

PUSH BUTTON SWITCH LED SPECIFICATIONS								
ATTENTION LEDs are Electrostatic Sensitive devices 	Unit	Value / LED Color						
		Blue (5mA)	Pure Green	Red	Yellow	Orange	Green	White
LUMINOUS INTENSITY@20mA I _v	mcd	25	180	200	200	250	55	250
Dominant Wavelength λ _D	nm	470	525	630	590	601	567	/
FORWARD VOLTAGE@20mA V _f	V	2.8	3.2	1.95	2	2.1	2.1	4

ROTARY LED SPECIFICATIONS								
ATTENTION LEDs are Electrostatic Sensitive devices 	Unit	Value / LED Color						
		Blue (5mA)	Pure Green	Red	Yellow	Orange	Green	White
LUMINOUS INTENSITY@20mA I _v	mcd	100	413	230	150	250	50	200
Dominant Wavelength λ _D	nm	470	525	630	590	601	568	/
FORWARD VOLTAGE@20mA V _f	V	3.3	3.3	1.95	2	2.1	2.1	3.3

■ A single bin cannot be ordered, please contact us in advance if you need a particular bin sorting before placing your order to clarify the lead time, MOQ and pricing

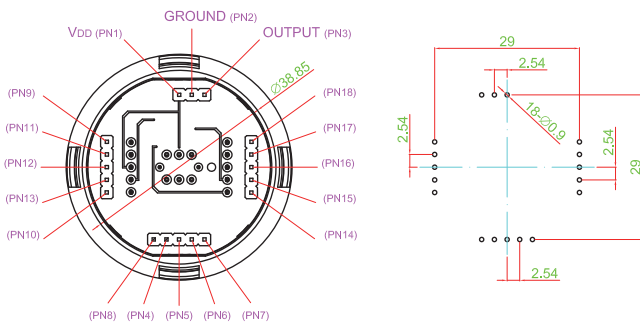
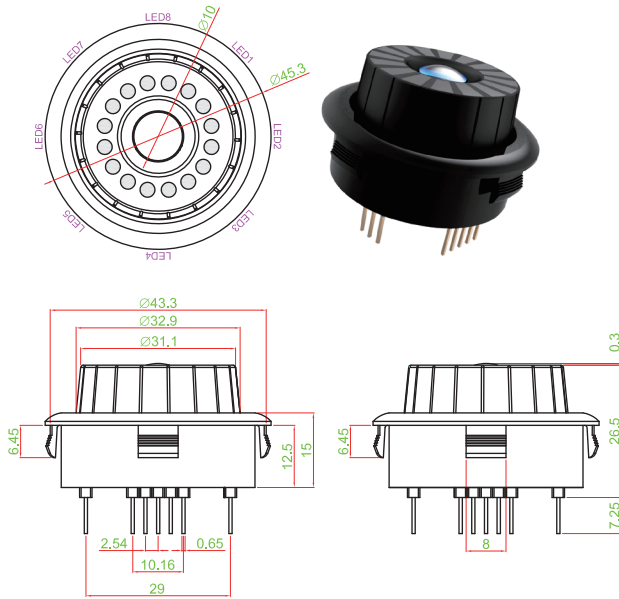
HOW TO ORDER





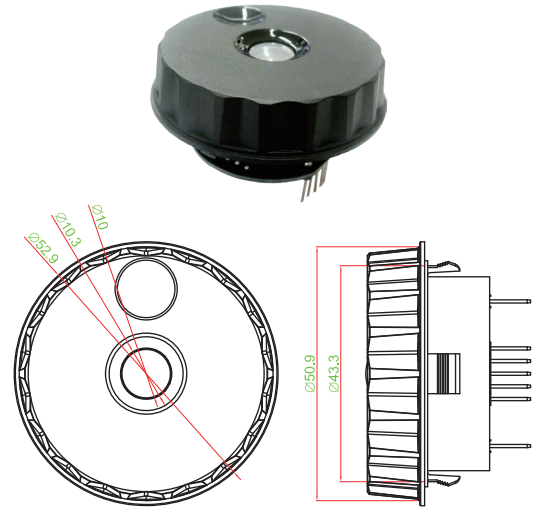
► DIMENSION

RS006-TATRXAKKA02G20T

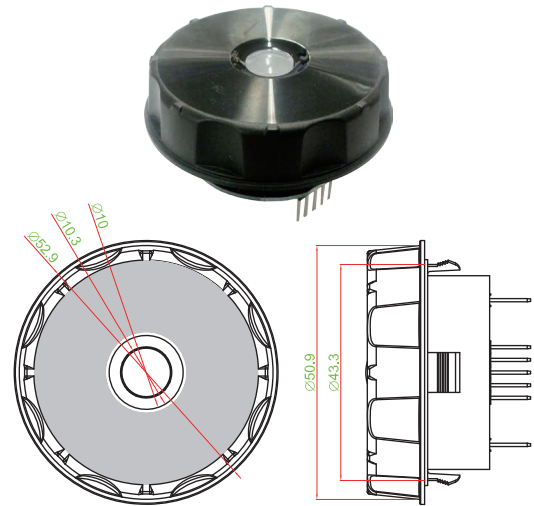


► CAP2 TYPE

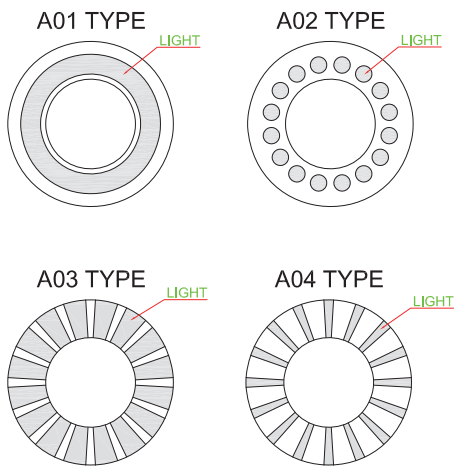
B TYPE



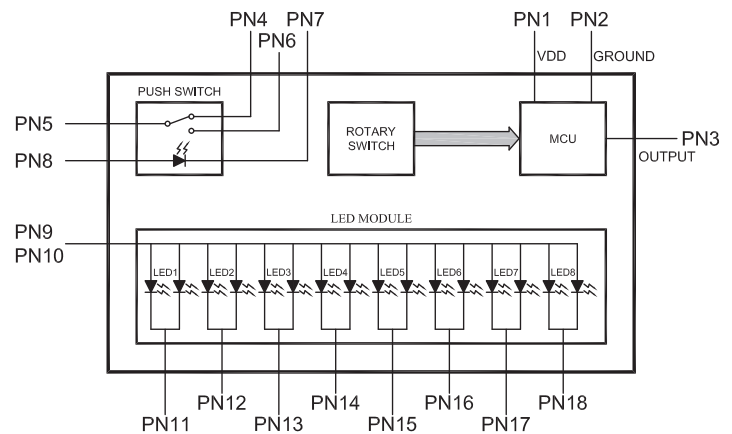
C TYPE



► CAP2 SYMBOL



► CIRCUIT



- TACT SWITCH
- PUSH BUTTON SWITCH
- LED TOUCH SENSOR SWITCH
- 5 DIRECTION NAVIGATION SWITCH WITH LED
- MEMBRANE SWITCH
- LED LIGHT BAR
- SLIDE SWITCH
- ROTARY SWITCH
- ROCKER SWITCH
- DETECT SWITCH
- ENCODER
- INTERRUPTER
- MINIATURE MICRO SWITCH
- TELEPHONE HOOK SWITCH
- DOOR SWITCH
- MINI SIZE SOCKET
- KNOB
- CAP SYMBOL