



Feature:

- Infra-red sensor T-bar fader with 64 or 128 Pulses analog outputs.
- RGB illuminated handles available.
- Various shapes of handles.
- Aluminum frame.

Application:

- Audio/Video
- Broadcasting

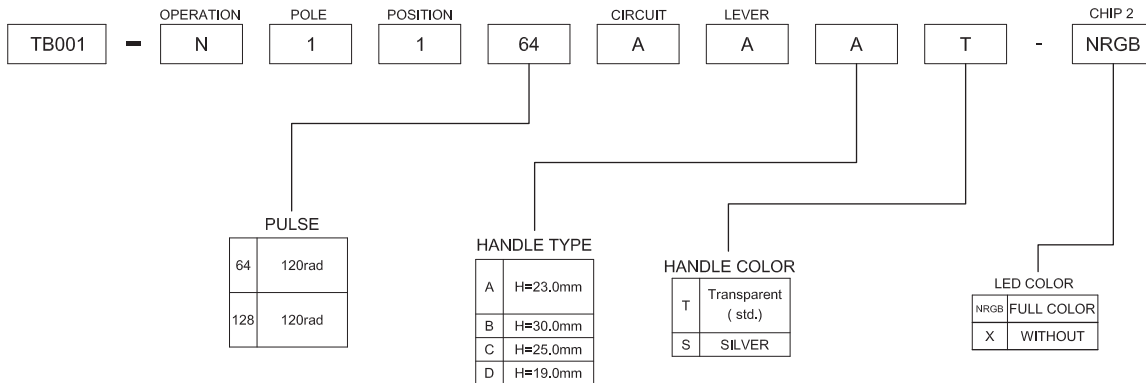


SWITCH SPECIFICATIONS

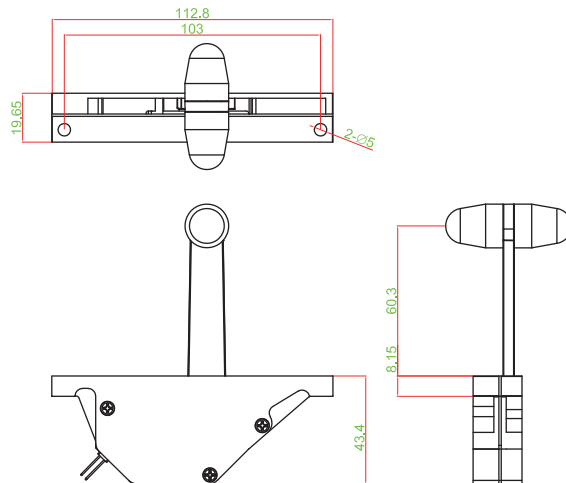
RESOLUTION	64 PULSES (OR 128 PULSES) / 120°
CONTACT RATING	5V DC , 0.1A MIN.
OPERATING FORCE	60 ~ 135gf
TOTAL TRAVEL	120°
LIFE CYCLE	500,000 CYCLE
OPERATION TEMPERATURE RANGE	-40°C ~ +85°C

Physical and electrical information of LED will be provided upon customer's request on switches .

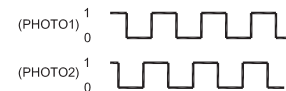
HOW TO ORDER



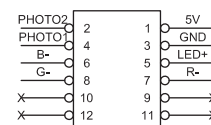
DIMENSION



OUTPUT WAVE (ENCODER)



PIN DEFINITION



- TACT SWITCH
- PUSH BUTTON SWITCH
- LED TOUCH SENSOR SWITCH
- 5 DIRECTION NAVIGATION SWITCH WITH LED
- MEMBRANE SWITCH
- MODULE
- SLIDE SWITCH
- ROTARY SWITCH
- ROCKER SWITCH
- DETECT SWITCH
- ENCODER
- INTERRUPTER
- MINIATURE MICRO SWITCH
- TELEPHONE HOOK SWITCH
- DOOR SWITCH
- MINI SIZE SOCKET
- KNOB
- CAP SYMBOL